



YACHT WHEELS

Connecting You With Your Passion™

STAINLESS BI-SPOKE DESTROYER WHEEL



We've updated the classic Destroyer Wheel by adding a double set of spokes and a more robust hub. The bi-spoke design gives it superior rigidity and robustness - ideal for offshore sailing. These wheels feature Edson's ergonomic "D" shaped wheel rim for helmsman comfort and it is sized to feel right on hands that are both large and small. Rims can be covered in Edson's Buck Tan or Dove Gray cowhide to provide a soft, supple feel.

For the discerning owner who wants the warmth and look of a wood rim, Edson can provide these wheels on a custom basis with teak and holly laminated rims.

- Dual Tapered Spokes
- 1" (25mm) D-shaped rim for easy grip.
- "Winch-Handle Socket" Wheel Nut included.
- Designed to fit Tapered Wheel Shafts only.
- Optional Teak & Holly Rim available

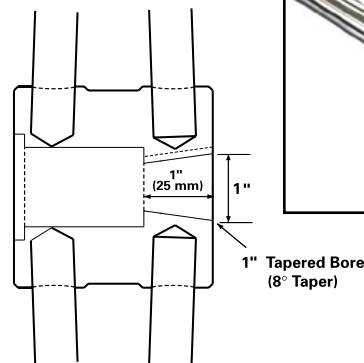
Wheel Selection Guide

- 36" Bi-Spoke Destroyer Wheel - Order #649-36
 - 40" Bi-Spoke Destroyer Wheel - Order #649-40
 - 44" Bi-Spoke Destroyer Wheel - Order #649-44
 - 48" Bi-Spoke Destroyer Wheel - Order #649-48
 - 54" Bi-Spoke Destroyer Wheel - Order #649-54
 - 60" Bi-Spoke Destroyer Wheel - Order #649-60
- (For TEAK RIM - add TK to Order #)



Edson Bi-Spoke Destroyer Wheel with Laminated Teak & Holly rim - shown on Corby Classic 39.

Wheel Hub Dimensions



Winch Handle Socket Wheel Nut.